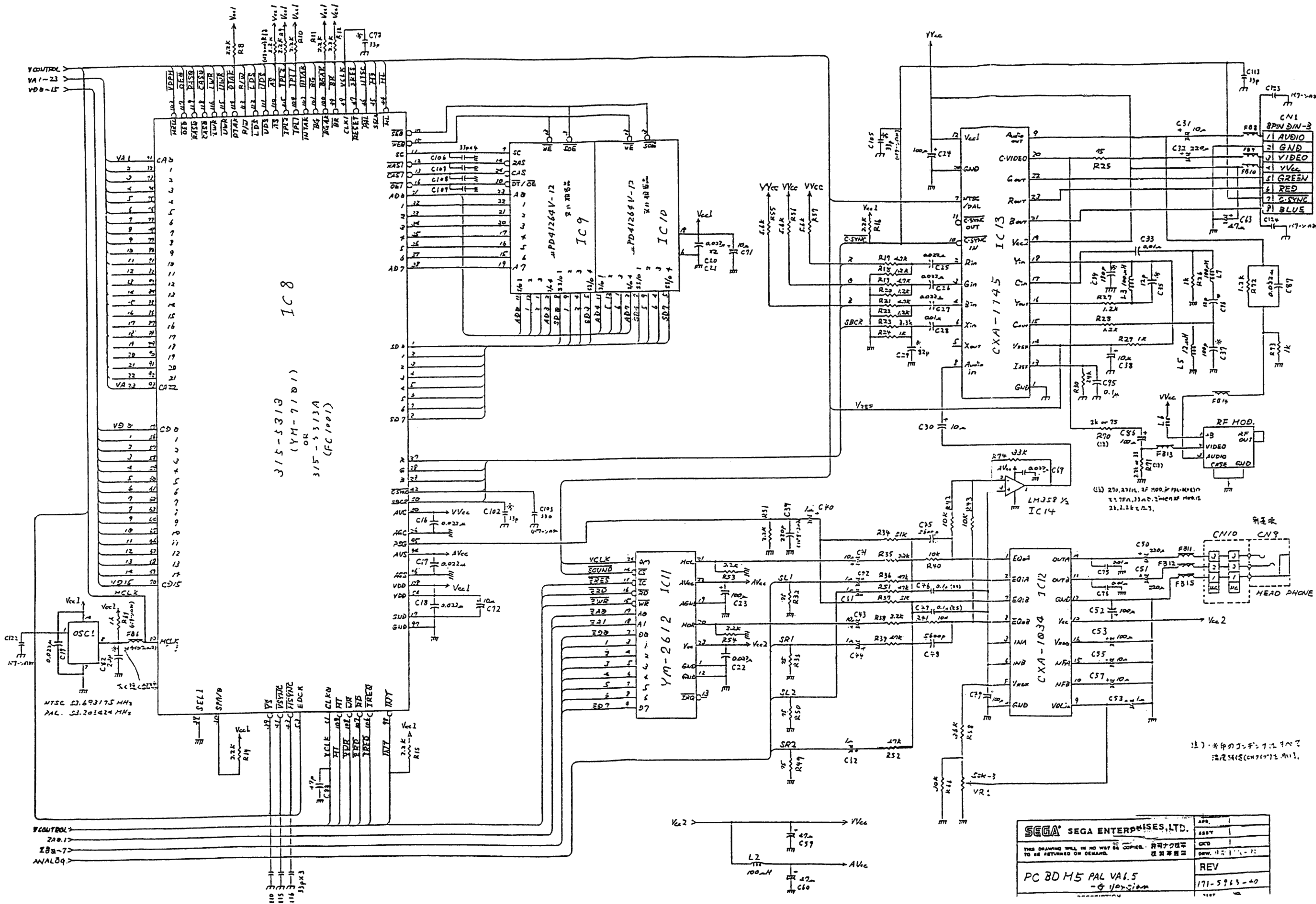


SEGA SEGA ENTERPRISES, LTD.		APP. 1
THIS DRAWING WILL IN NO WAY BE COPIED, REPRODUCED OR TRANSMITTED IN ANY FORM OR BY ANY MEANS, WITHOUT THE WRITTEN PERMISSION OF SEGA ENTERPRISES, LTD.		REV. 1
PC BD M5 PAL V6.5 -6 Version		REV. 171-5763-00
DESCRIPTION	PART NO.	SHEET 1 OF 2



IC8
315-5313
(YM-7101) OK
315-5313A
(FC1001)

注) * 中のコンデンサはすべて
温度補償型(CM77)を用いた。

SEGA SEGA ENTERPRISES, LTD.		APP.	
THIS DRAWING WILL IN NO WAY BE COPIED, 許可なくして TO BE RETURNED ON DEMAND. 複製せず 返却せよ		APP.	
PC BD M5 PAL VA6.5 - 6 1/2 x 5 1/2 in		REV	
			171-5963-40